

# WEINIG RAIL MOULDING PATTERNS

## BAR RAILS

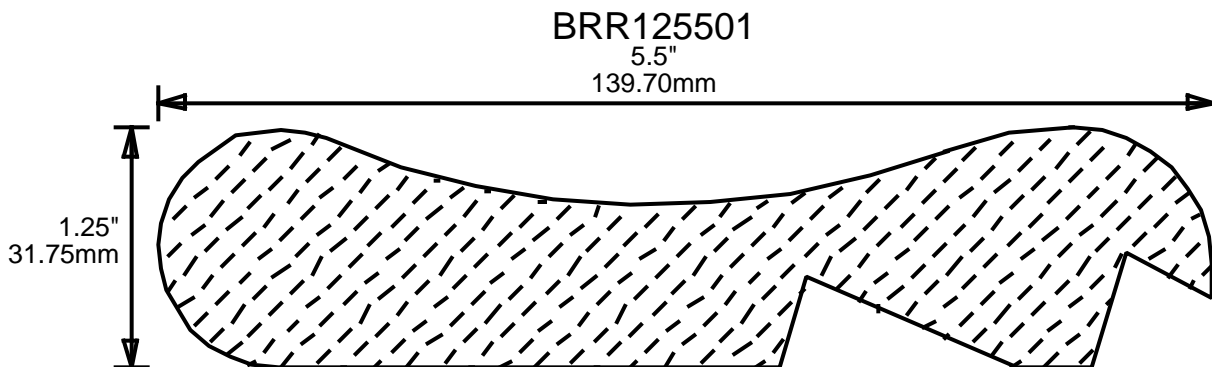
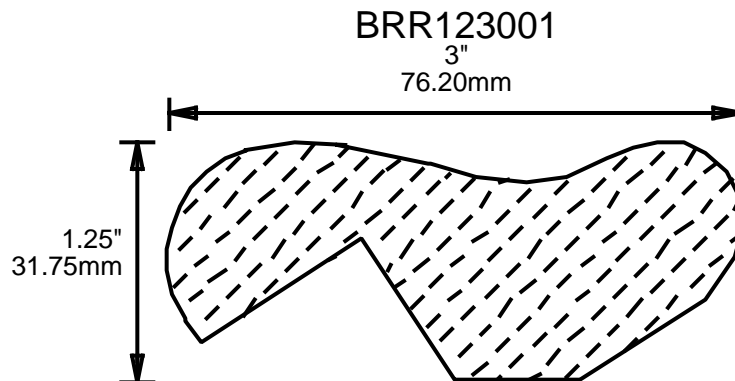
Templates for the rail moulding patterns shown in this book are available through Weinig Custom Grinding Service.

In addition to these stock templates, Weinig Custom Grinding Service also will make custom-profile templates specifically for your needs. Templates can be made using other CAD drawings, a wood sample, a tracing, or only an idea.

### RAIL MOULDING PATTERNS

Example: HR P 12 23 01

HR	Hand Rail
BR	Bar Rail
CH	Chair Rail
P	Profiled Hand Rail
R	Radiused-only Hand Rail
12	Thickness, as first 2 decimals
23	Width, as first 2 decimals
01	Profile Number



**PRINT  
THIS PAGE**

**ORDERING  
INFORMATION**

**RETURN TO  
Table of Contents**

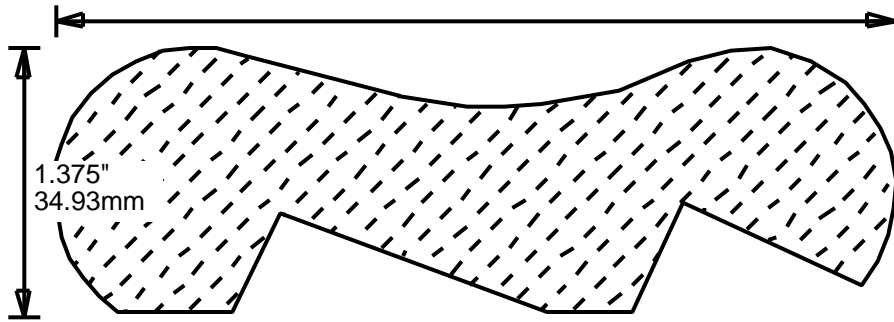
**RETURN TO  
Beginning of Section**

# WEINIG RAIL MOULDING PATTERNS

## BAR RAILS

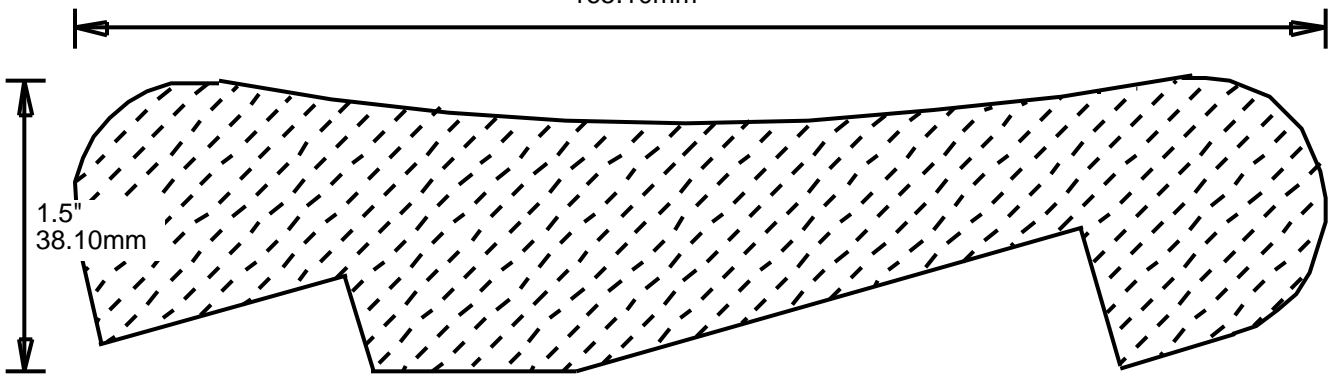
BRR134301

4.375"  
111.125mm



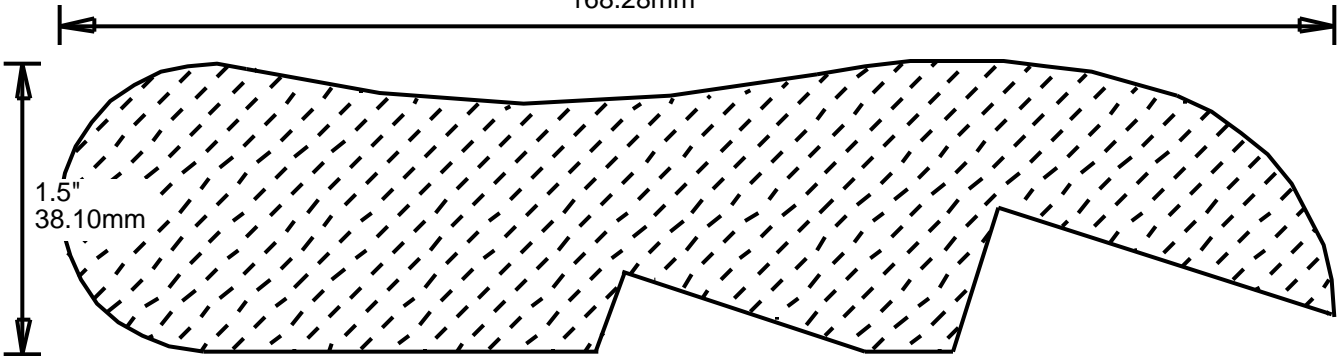
BRR156501

6.5"  
165.10mm



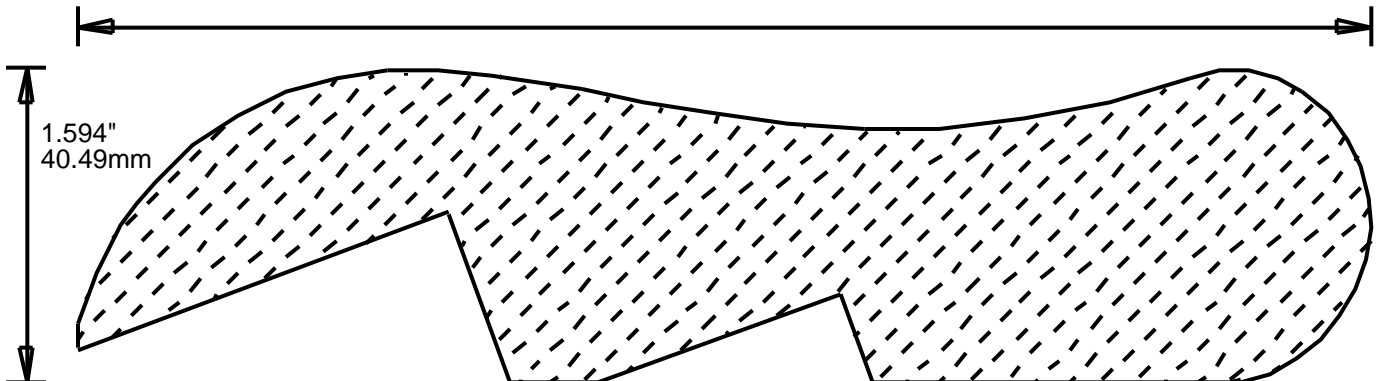
BRR156601

6.625"  
168.28mm



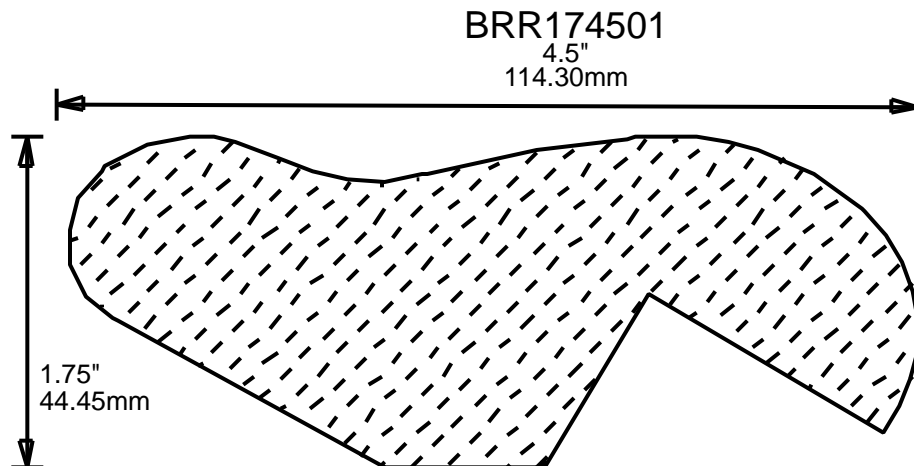
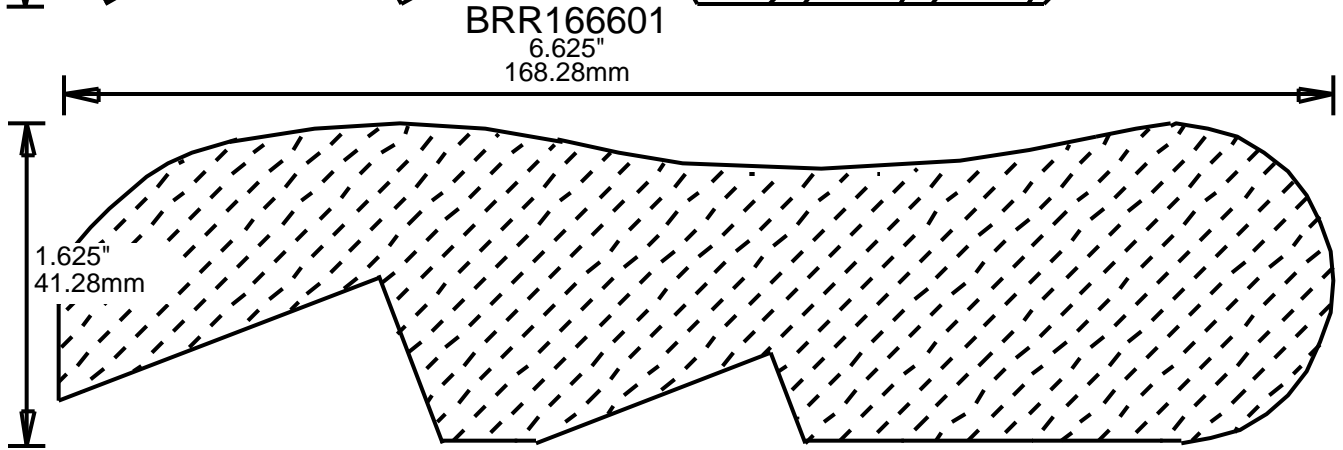
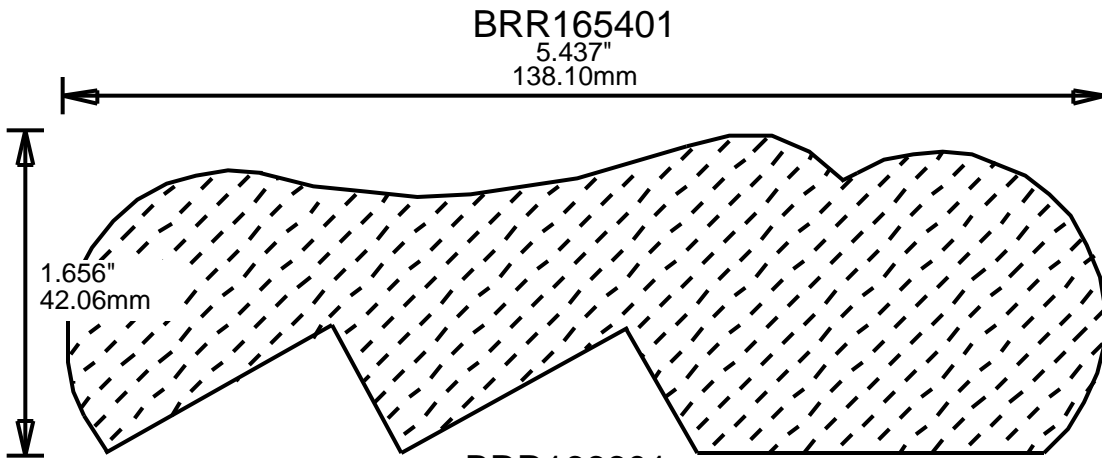
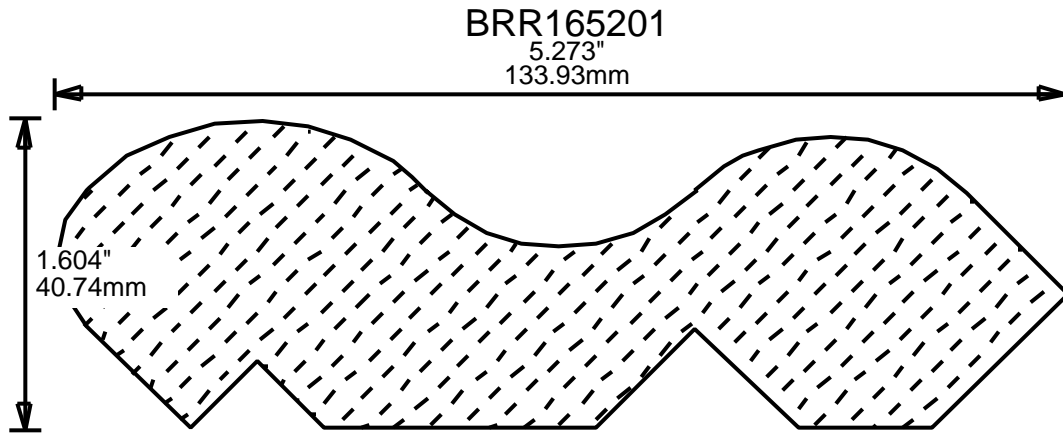
BRR156701

6.7"  
170.18mm



# WEINIG RAIL MOULDING PATTERNS

## BAR RAILS

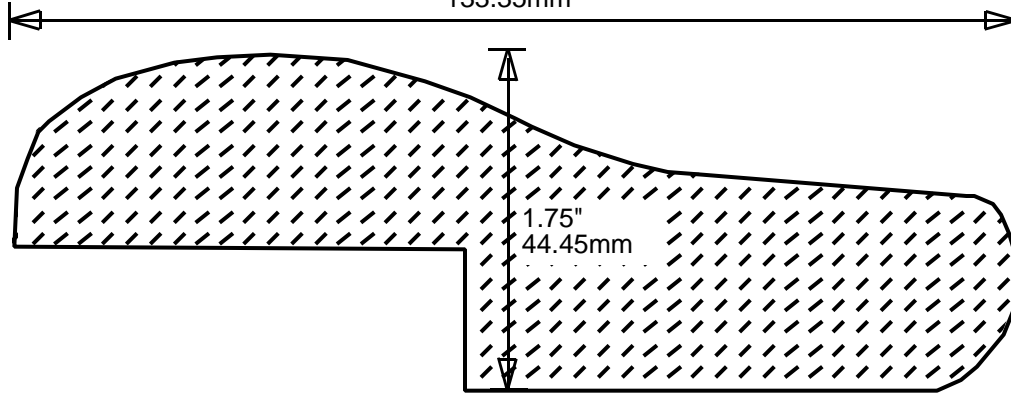


# WEINIG RAIL MOULDING PATTERNS

## BAR RAILS

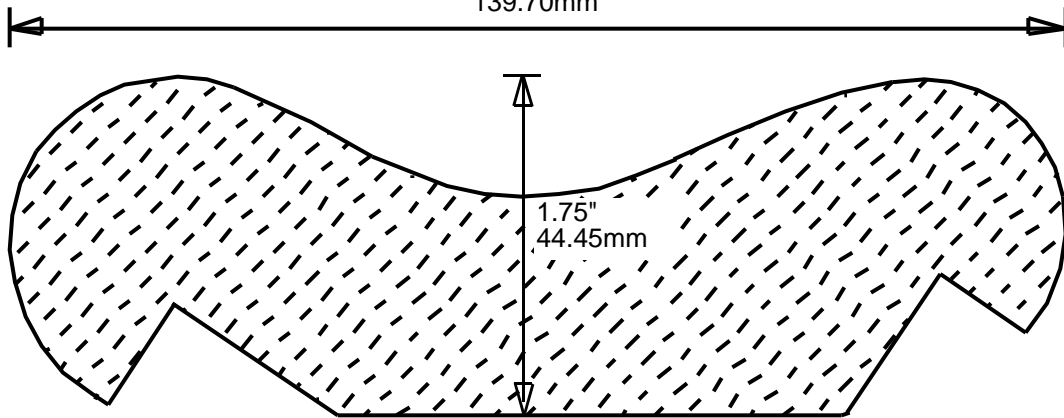
BRR175201

5.25"  
133.35mm



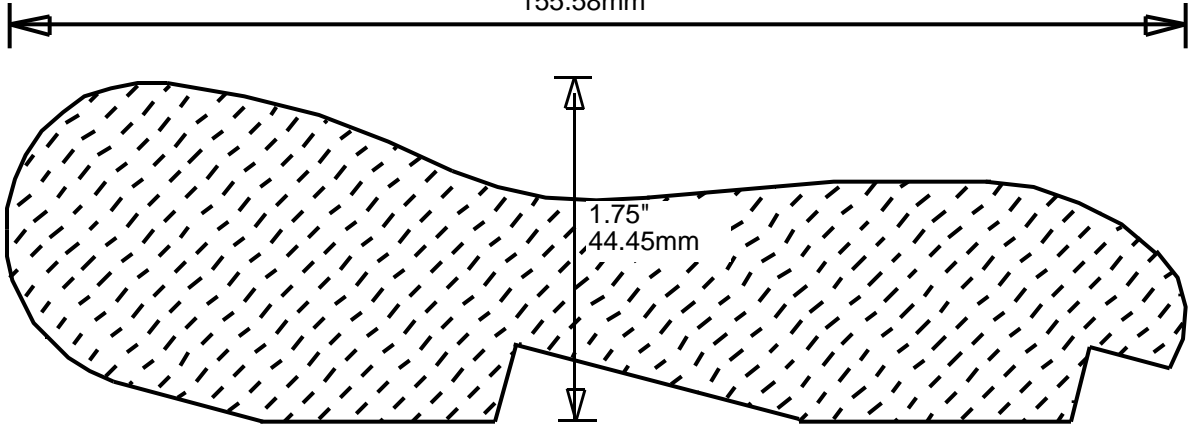
BRR175501

5.5"  
139.70mm



BRR176101

6.125"  
155.58mm



BRR167001

7.063"  
179.40mm

